

CODE NUMBER

3873200

DESCRIPTION

Vitreous China Service Sink Healthcare Service Sink.

DETAILS

- Centerset: None
- Nominal Dimensions: 24 7/8" × 21" × 15 7/8" (632 × 533 × 403mm)

FEATURES

- Designed to maximize and complement Sloan flushometers
- Exclusive skirted trapway maximizes hygiene and facilitates cleaning
- Thorough blowout flushing action
- IAPMO certified to meet or exceed ASME A112.19.2 standards
- 6.5 gpf (24.6 Lpf)
- White Vitreous China
- Wall mounted, wall China
- Blowout flushing action
- Fully skirted trapway for easy, hygienic cleaning
- 1½" I.P.S. top spud inlet
- Fully glazed trapway
- One (1) stainless steel rim guard included

PLUMBING SYSTEM REQUIREMENTS

- Minimum flowing pressure: 25 PSI
- Maximum static pressure: 80 PSI
- Minimum flow rate: 25 GPM

DOWNLOADS

- [SS-3200 Installation Instructions](#)
- [Additional Downloads](#)

**COMPLIANCES & CERTIFICATIONS**

(cUPC Certified, UPC Certified, HPD)

NOTES

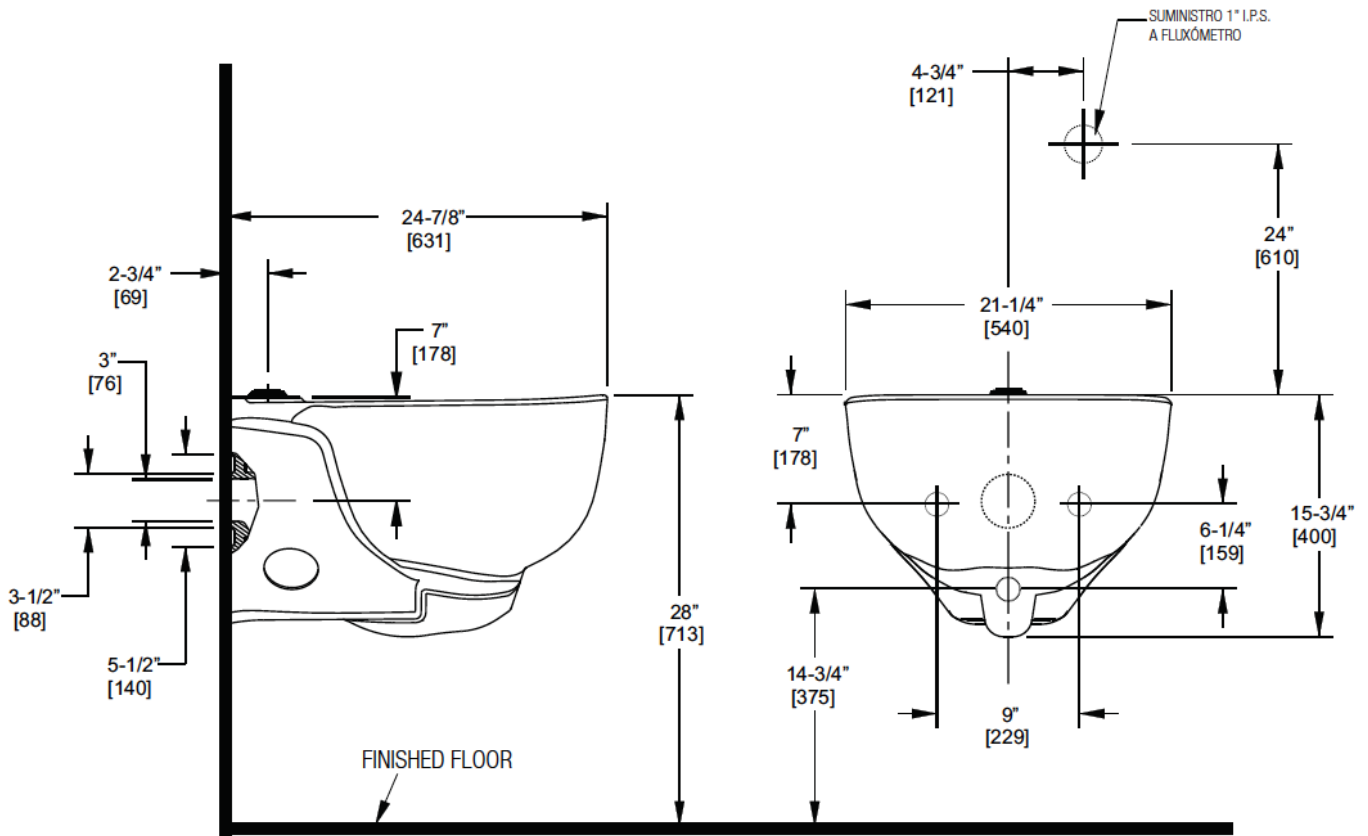
All information contained within this document subject to change without notice.

All vitreous china dimensions shown in these drawings are nominal and not to scale. Dimensions can vary within the tolerances established in the governing ASME A112.19.2/CSA B45.1 standard. It is important to consider this when planning rough-in and plumbing layouts.

WARRANTY

[View Warranty Information](#)

ROUGH-IN



Sloan 10500 Seymour Ave, Franklin Park, IL 60131
 Phone: 800.982.5839 • Fax: 800.447.8329 • sloan.com